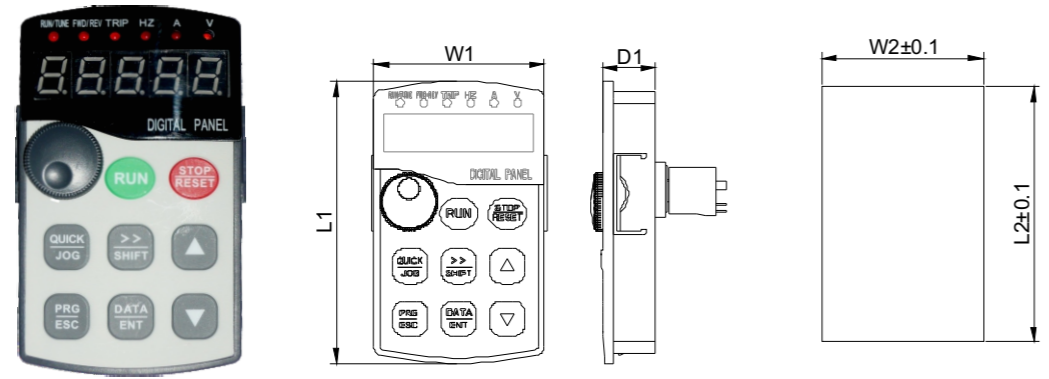


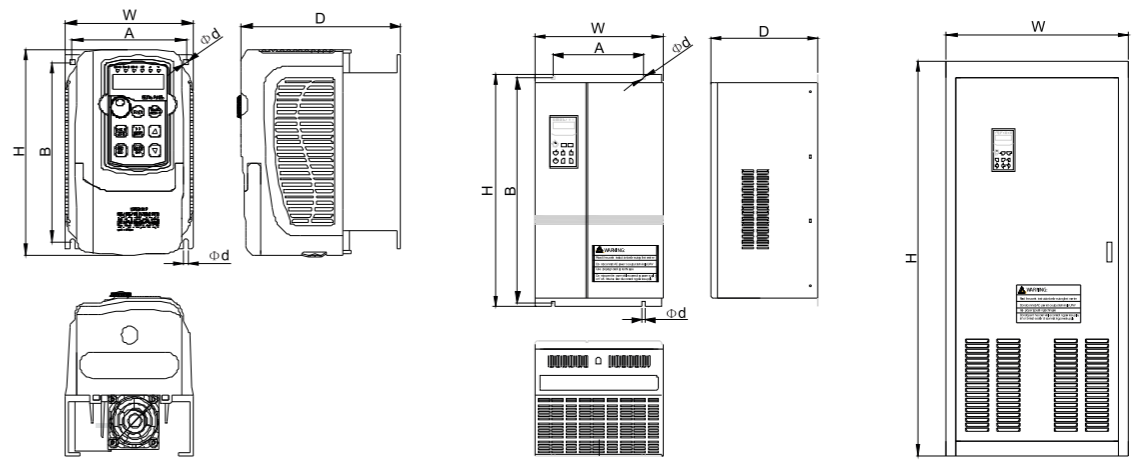
Wiring Connection Diagram

Keypad Size:



Model	Size	L1(mm)	W1(mm)	D1(mm)	L2(mm)	W2(mm)
Keyboard(Above 15KW)		135.2	74.5	21.3	130.8	70.8
Keypad(Under 11KW)		97.5	58	17	90	56.4

Installation Size Introduction:



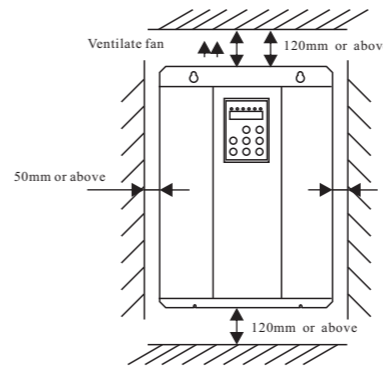
0.75-11KW The dimension of the machine

15-132KW The dimension of the machine

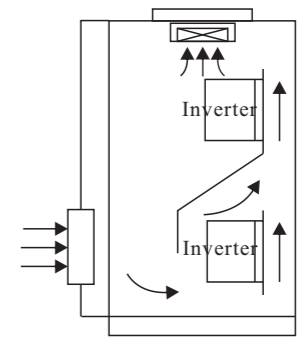
160-630KW The dimension of the machine

Rated Output Power (KW)	Input Voltage	A (mm)	B (mm)	H (mm)	W (mm)	D (mm)	Installation Hole (mm)
0.4 ~ 1.5	1AC 220V -15% ~ +15%	79	132	140	85	125	4
2.2		111.5	156.5	170	125	162	5
0.75 ~ 2.2	3AC 380V -15% ~ +15%	111.5	156.5	170	125	162	5
4 ~ 5.5		136.5	205	220	150	175	5
7.5		202.5	287.5	300	216	212	6
11 ~ 18.5		170	350	370	274	226	9
22 ~ 30		200	444	465	300	235	9
37 ~ 55		250	590	610	360	299	9
75 ~ 93		300	659	584	424	324	11
110 ~ 132		320/	858	883.5	504	338	11
160 ~ 200		/	/	1400	574	430	/
220 ~ 250		/	/	1600	760	480	/
280 ~ 315	/	/	1700	850	482	/	
350 ~ 450	/	/	1700	850	523	/	
500 ~ 630	/	/	2200	1200	550	/	

Installation Direction and Space:



Safe space and distance



Installation of multiple inverter